

COMBINED INVERTER & CHARGER

- > INV - 0.6kW - 5kW
- Transformer Base
- Large LCD display



Pure Sine Wave Inverter

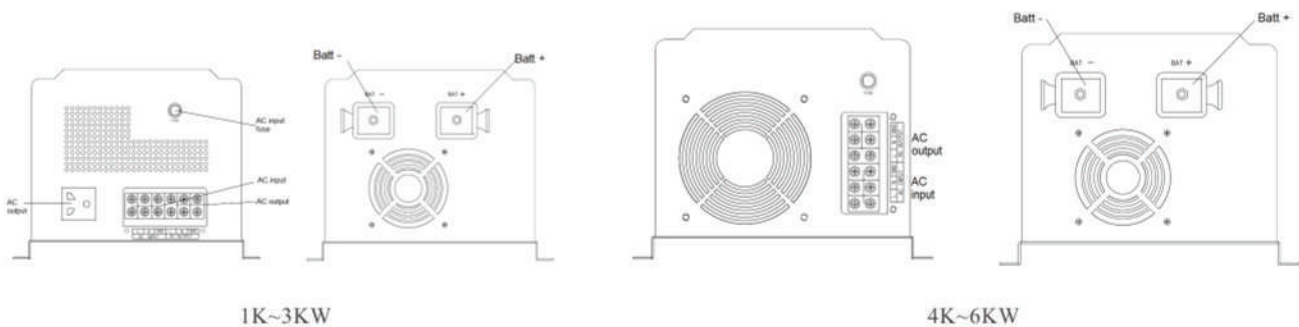
Overview

PIL series long strip home inverter use line interactive UPS design concept, all digital control of the real pure sine wave output; Low frequency design with superior impact resistance capacity, to meet the requirement of different equipment; Adjustable AC charging voltage and charging current, free choice of working mode, to meet different types of the user's requirements.

Features

- Arbitrary choice of two working modes
- AC charging current max 60A, to meet customer requirements for fast charging
- Adjustable AC charging voltage, to adapt to different types of batteries
- Adjustable AC charging current, to meet the different capacity of the battery
- High Frequency switching technology
- Multiple protection technology
- Green power technology
- Battery management technology
- Network monitoring technology
- CPU1+N control technology

Front / Back Panel



* All specifications subject to change without notice

* Custom-made specifications are acceptable

➤ Technical Specifications

MODEL		AMB INV-1000W	AMB INV-1500W	AMB INV-2000W	AMB INV-3000W	AMB INV-4000W	AMB INV-600W
AC Input	Range Voltage	100/110/120/127/220/230VAC(+25%, -36%)					
	Range Frequency	50/60Hz ± 2.5Hz					
Output	Rated Power	1000W	1500W	2000W	3000W	4000W	600W
	Wave Form	Pure Sine Wave					
	Battery Efficiency	81%	83%		85%		81%
	AC Efficiency	93%					
	Output Voltage	220V/110V ± 5%(AC Mode ± 10%)					
	Output Frequency	50Hz/60Hz ± 0.5Hz(AC Mode ± 2.5Hz)					
	Transfer time	4m/8ms Optional					
Connector	Input/Output	Input & Output terminals, 1pc output socket			Input & Output terminals		
	Battery	Terminals					
Battery	Voltage	12V/24V		24V/48V		12V	
	Charging Current	20A Adjustable		60A Adjustable		20A	
LCD	Method	LCD+LED					
	Content	Input/Output Voltage, Battery Voltage, Battery Capacity, Load Capacity, Working mode, Frequency					
Protection	Battery Reversal	Optional					
	Output Short Circuit	AC mode: Jump fuse, Inverter mode: Shut down					
	Overload	Full load 100%, UPS alarm. Overload 120%, UPS shut down output in 10s. Once the load back to normal, UPS recover output.					
	High AC Voltage	Turn off AC, Turn to Inverter mode automatically					
	Low DC Voltage	Inverter shut down automatically, Once the AC recover, Inverter turn on and charge automatically					
	Over Temperature	Power Off					
Environment	Humidity	15~93%(No condensation)					
	Temperature	-10℃~50℃					
	Altitude	≤3000m					
Dimension: DxWxH(mm)		455x266x206			640x266x256		
Packing size: DxWxH(mm)		545x345x260			725x345x310		
Weight	N.W.(KGS/PC)	14.0	16.0	19.2	25.8	33.5	14.0
	G.W.(KGS/PC)	15.5	17.5	20.7	27.3	35.7	15.5

* All specifications subject to change without notice

* Custom-made specifications are acceptable